

## BPV BALANCED POPPET SERIES



Clippard's new pressure compensated valve, the BPV, is another addition to an impressive list of quality flow control products! The new BPV series provides all the qualities you've come to rely on with the EVP/DVP proportional valves, but with design features that address critical low pressure/high flow applications.

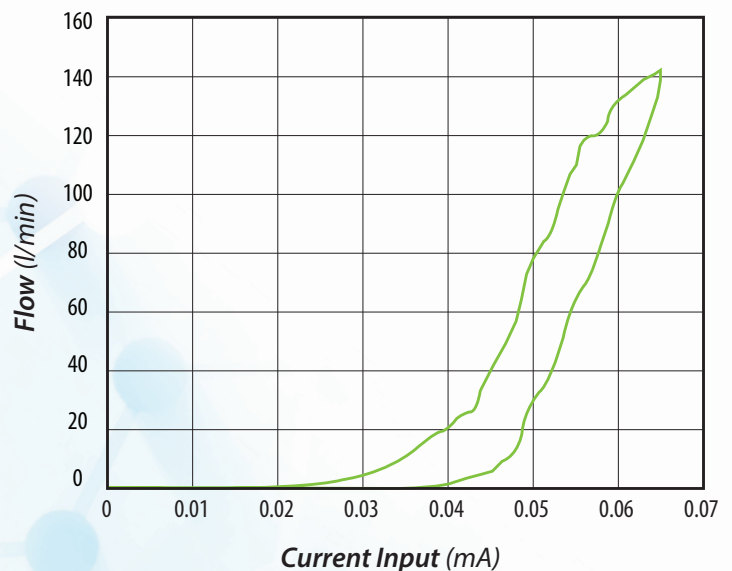
- Small package with significant flow
- All ports down design
- Wetted parts ideal for oxygen and inert gases
- Smooth liftoff
- Low hysteresis
- Low leak design
- Ideal for low pressure/high flow applications
- Can be calibrated to meet specific applications

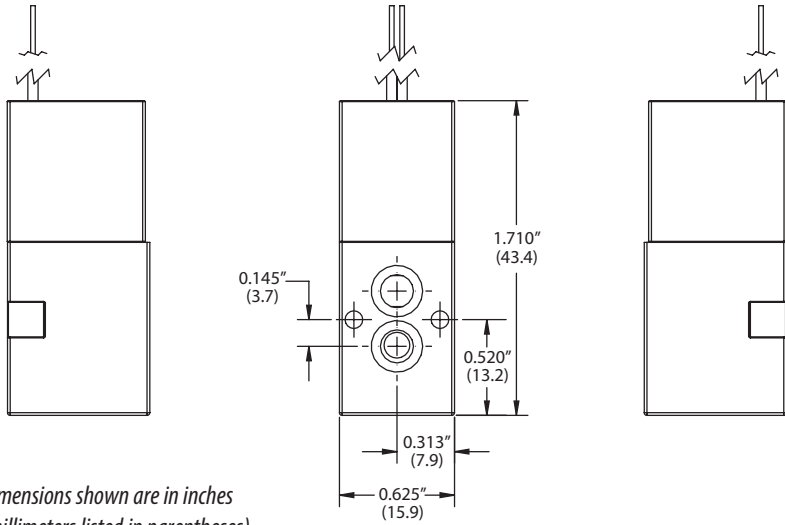
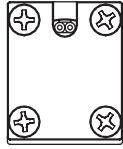
<b>Connection</b>	Flying leads
<b>Cycle Life</b>	>100 million
<b>Flow</b>	120 l/min @ 30 psig (2 bar)
<b>Function</b>	2-way normally-closed proportional
<b>Hysteresis</b>	10% of full scale typical, 15% max.
<b>Material, Seals</b>	FKM
<b>Material, Wetted</b>	303 stainless steel, PPS (manifold mount), 430FR stainless steel, brass
<b>Medium</b>	Air, oxygen, or neutral gas
<b>Mount</b>	Cartridge or manifold
<b>Operating Pressure</b>	0-45 psig (3 bar)
<b>Operating Temp. Range</b>	50 to 122°F (10 to 50°C)
<b>Response Time</b>	10 ms
<b>Voltage</b>	5, 12, or 24 VDC
<b>Wattage</b>	2.5 watts typical
<b>More Details</b>	<a href="http://clippard.com/link/bpv">clippard.com/link/bpv</a>

### PRELIMINARY

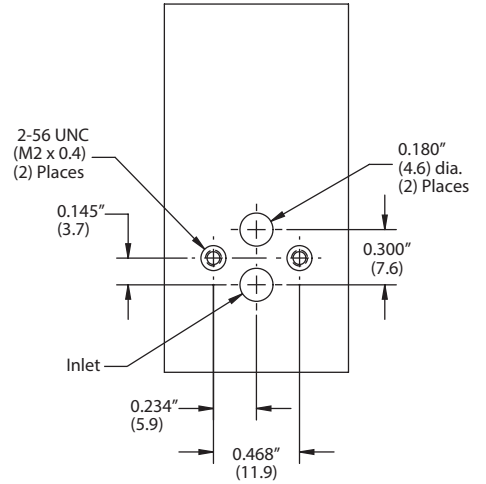
**Note:** This product is still in development.  
Specifications are subject to change.

Typical Flow @ 45 psig (2 bar)



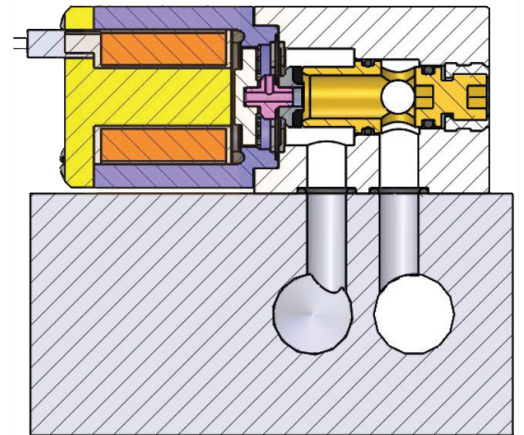
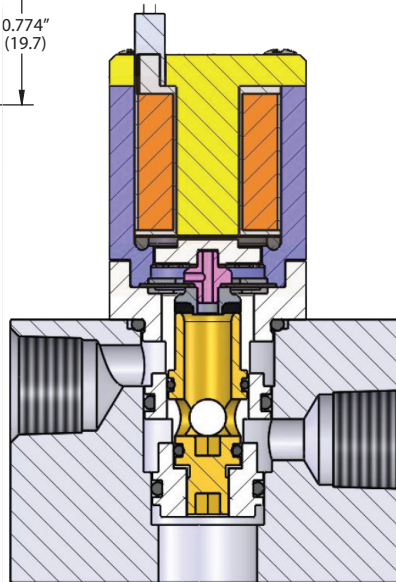
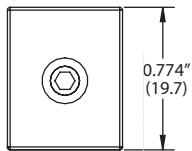


### Hole Placement For Manifold



Dimensions shown are in inches  
(millimeters listed in parentheses).

Visit [clippard.com](http://clippard.com) for more detailed  
2D and 3D drawings as they  
become available.



## Applications

- Medical devices
- Analytical instruments
- Biotechnology
- Industrial process controls
- Food and beverage equipment

## ORDERING INFORMATION

Not Yet Available to Order—**Coming Soon!**

Contact Clippard or your local Clippard distributor to discuss participating in the early Beta release

For more info, scan the  
QR code or visit  
[clippard.com/link/bpv](http://clippard.com/link/bpv)

